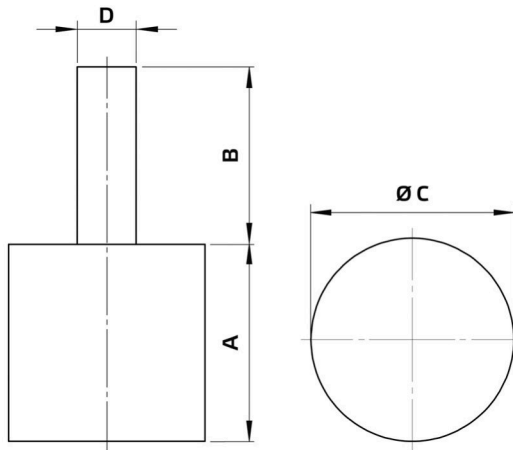


Datasheet

Product type: **Vibration dampers**
 Product ID: 155503
 Product name: FSD 06



A	mm	20
B	mm	18
C	mm	25
D		M6
Weight	kg	0.2

- Made from natural rubber
- Hardness 55 Shore A
- 1x internal thread, 1x external thread

Use:

- AL 450 D2 01
- AL 560 D4 02
- AL 560 EC 01
- AL 560 D4 01
- AL 630 D6 01
- AL 630 D4 01

Scope of supply:
 4x rubber bumper
 4x fender washer
 4x lock washer
 8x hexagon nut

155503_pd_k10001_en_20210913